

More Precision.



optris® Ctex

optris® CT for the use in hazardous areas



FEATURES

- Cost saving solution by simple concept
- Sensing head as simple electrical device enables installations in hazardous locations without problems
- Energy limitation with appropriate zener barriers (STAHL) with approval for zone 1 (PTB 01 ATEX 2053/ E II (1/2) GD [EEx ia/ib] IIC/IIB)



Concept

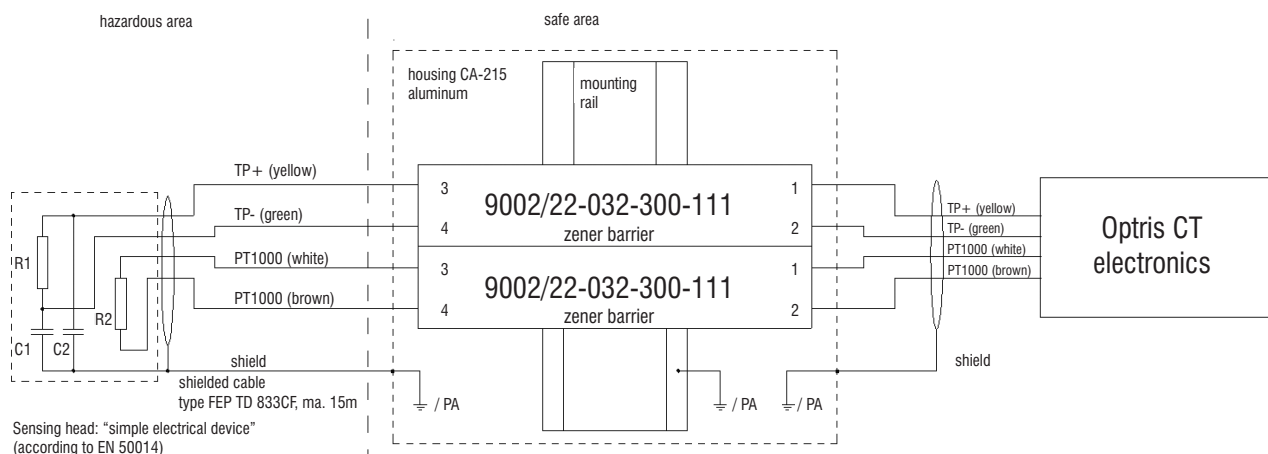
- optris® CT sensing heads are defined as simple electrical devices (according to EN 50014)
- no special approval for intrinsic safety necessary
- optris® CT gets intrinsically safe by limitation of the energy with two double zener barriers, type 9002/22-032-300-111 (R. STAHL AG)¹⁾

Scope of supply

- CTLT - Sensor (optics 2:1, 15:1, 22:1) with cable length 3 m, 8 m or 15 m (selectable)
- aluminum housing with mounting appliance for two zener barriers and CT electronics
- 2 zener barriers, type 9002/22-032-300-111 (R. STAHL AG)¹⁾

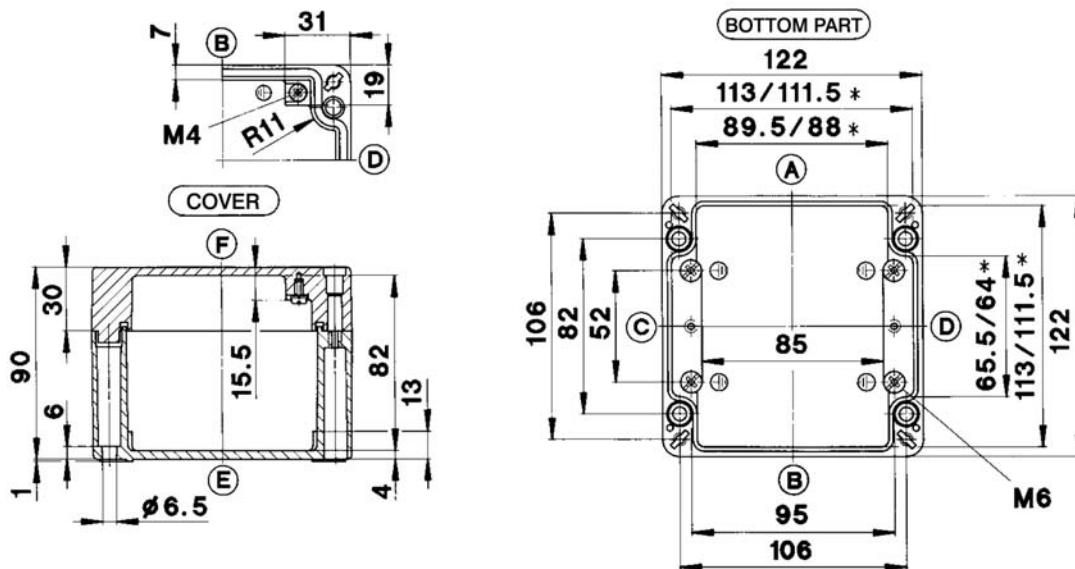
¹⁾NOTE: The functionality and correct reading of the CT sensor can only be guaranteed, if the recommended barriers are used.

Connection diagram



optris® CTex

Dimensions (housing/alu)



Technical data (zener barriers) ²⁾

Type 9002/22-032-300-111

Approvals	Europe (CENELEC)	for zone 1: PTB 01 ATEX 2053
		for zone 2: PTB 01 ATEX 2054
	USA	FM approval 3010778
	Canada	CSA 1284580 (LR 43394)
Explosion protection	Europe (CENELEC)	for zone 1: E II (1/2) GD [EEx ia/ib] IIC/IIB
		for zone 2: E II 3 GD EEx nA II T4
	USA	I.S. circuits for: class I, II, III, division 1, groups A, B, C, D, E, F, G
		I.S. circuits for: class I, zone 0, group IIC
		class I, division 2, groups A, B, C, D
		class I, zone 2, group IIC
	Canada	I.S. circuits for: class I, groups A, B, C, D; class II, groups E, F, G
		class III
	class I, division 2, groups A, B, C, D	
	class I, zone 2, groups IIC	
Installation	in zone 2, division 2 and in safe area	
Environmental rating	acc. to IEC 60529/terminal IP 20/housing IP 40	
Ambient temperature	-20°C to 60°C	

²⁾ Declaration of company R. STAHL AG