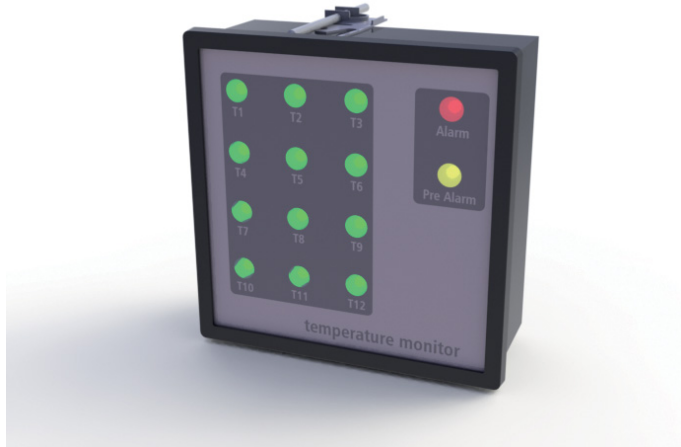


optris[®] TM

Display for temperature monitoring applications with optris CS infrared thermometers



FEATURES

- Panel mount display 135 x 135 mm
- Visualizing of different sensor states for up to 12 measurement points
- Display of temperature in alarm case via Temp Code
- Separate LEDs for pre-alarm and alarm
- Two alarm outputs 24V / 1A for control of external relays
- Rotary switch (rear side) for simultaneous programming of all connected optris CS sensors for nine alarm settings (pre-definable via software)
- Service mode for switch of the sensors to analog output (0-10 V)

General Specifications

Environmental rating	IP50 (front side only)
Ambient temperature	-20...65 °C
Storage temperature	-40...65 °C
Relative humidity	0...80%, non condensing
Material (box)	MBS plastics
Color	black (frame)
Dimensions	146 x 146 x 63 mm (without mounting clamps)
Weight	420 g
Mounting	with two clamps in the switch panel

Electrical Specifications

Power supply	24V DC ± 20 %
Current draw	200 mA (without connected relays)
Inputs	12 x removable screw terminals for connection of up to 12 optris CS sensors
Outputs	2 x 24V DC / 1A for connection of external relays (pre-alarm; alarm)

Display Specifications

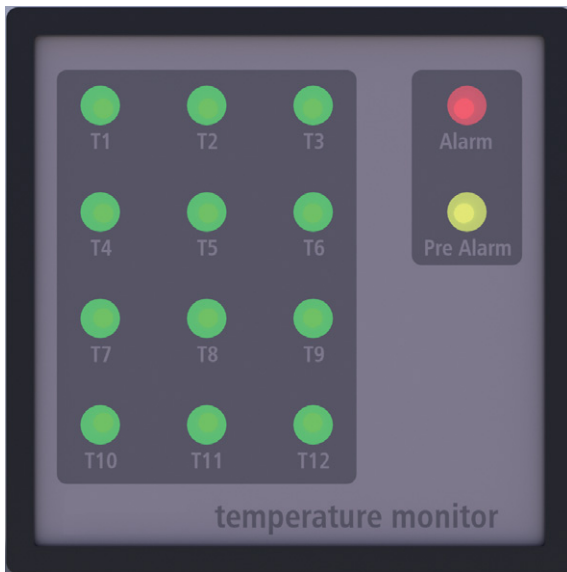
Indication	12 green LEDs for indication of sensor state: OK / Sensor error / Pre-alarm / Alarm 1 yellow LED for indication of Prealarm 1 red LED for indication of Alarm
Sensor programming	Rotary switch (rear side) for change of sensor supply voltage: Simultaneous programming of all connected optris CS for nine alarm settings (pre-definable via software) Service mode for switching the sensors to analog output (0-10V signal according to object temperature)



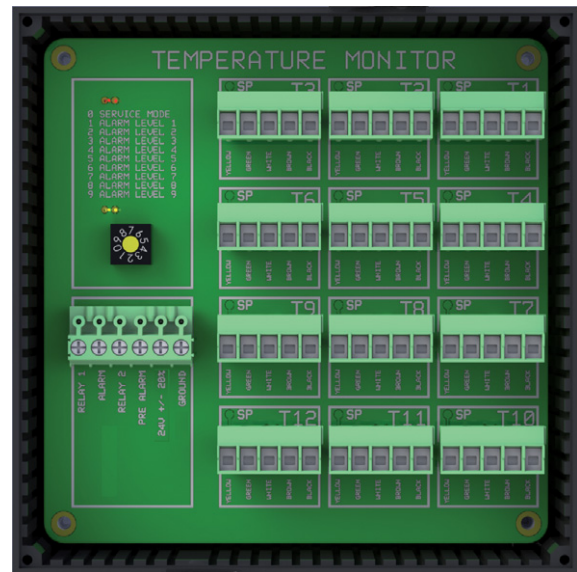
Typical monitoring locations at points of contact; Medium-voltage switchgear monitored by fixed pyrometers

Different Views

TM front view

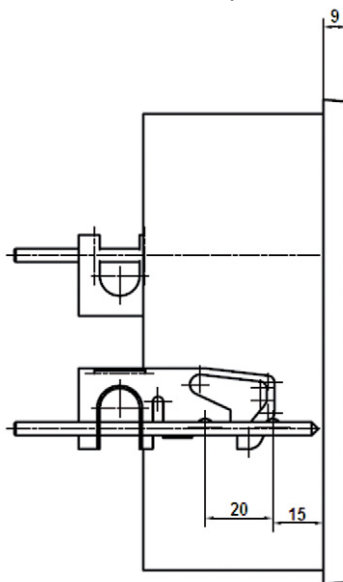


TM back view

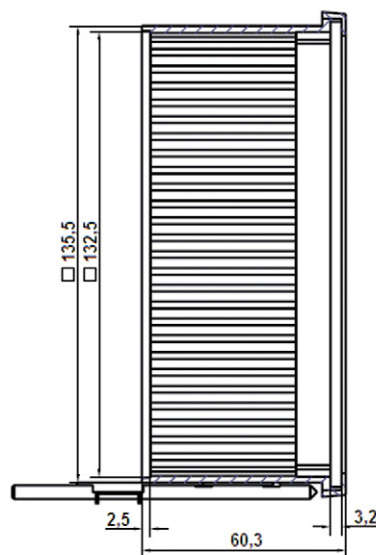


Dimensions

Side view with clamps



Side view
A-A



Back view

