



FRAME

POLISHED STAINLESS STEEL / DECOR

FRAME PLUS

POLISHED STAINLESS STEEL / DECOR

INOX

An incomparable design, a journey inside the most beautiful living atmosphere. The new model Frame evidences the purity of the design and offers different possibilities: Frame Inox Polished, which produces light effects and Frame Inox Decor which is made on polished basis with satin graphics.

Material:

- Heating plate:
 - Polished stainless steel (FRAME INOX)
 - Satin stainless steel decor on a polish base (FRAME DECOR)

Fixing kit:

- Brackets
- Airvent
- Hexagonal tool
- Plugs and screws for mounting suitable for use on compact or hollow brick walls
- User notice

Packaging:

The radiator is protected by a recyclable film in polyethylene and with a box in recyclable carton. User notice included.

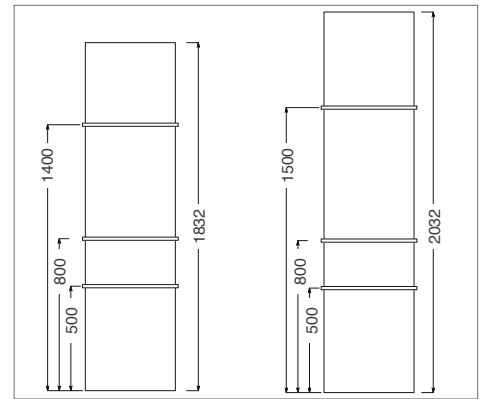
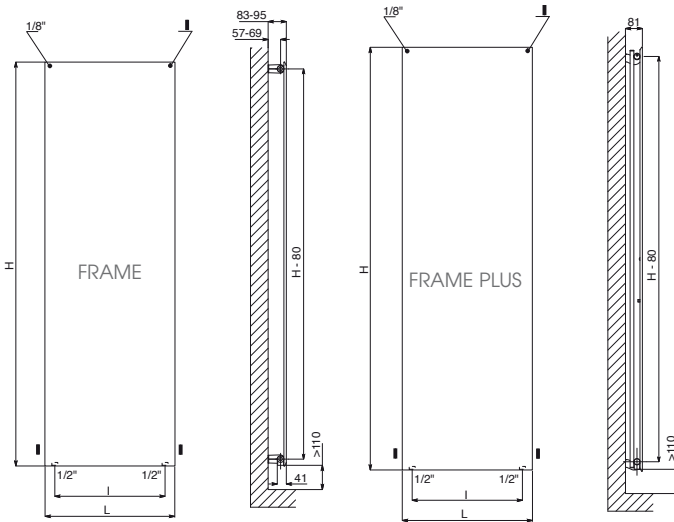
Features:

It is totally made in stainless steel with an unalterable finishing. Brightness guaranteed during the years.

Accessories and spare parts:

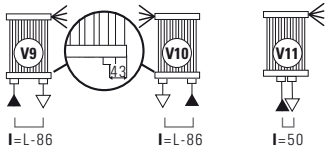
See page 157.

P. max: 5 bar	Available for central heating systems
T. max: 95° C	Connections: n° 2 x 1/2" gas - n° 1 x 1/8" gas for Airvent

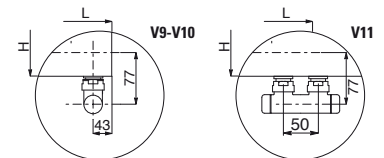


How to place kit 3 straight hangers

CONNECTIONS



Always specify the kind of connection needed when ordering (V9/V10/V11). Bidirectional connection not possible.



Measures for valves type "Elegant" Cordivari

ACCESSORIES

	STRAIGHT HANGER SATIN STAINLESS STEEL
	(L= 516 mm) Code Nr. 5991990010208
	(L= 628 mm) Code Nr. 5991990010209

	ELEGANT SQUARE VALVE KIT WITH THERMOSTATIC HEAD

LEGEND

	In		Airvent
	Out		H Height
	Connection		Width=20 - Height=15
	Blind Plug		
	Pipe Centres		L Width

	KIT 3 STRAIGHT HANGERS SATIN STAINLESS STEEL
	(L= 516 mm) Code Nr. 5991990310241
	(L= 628 mm) Code Nr. 5991990310242

POLISHED

C	Code Nr.	M	Code Nr.
Ø 10/12/14/15/16	5991990301026	Ø 14/16/18	5991990301025
C = Copper connection • M = Multilayer connection			

SATIN

C	Code Nr.	M	Code Nr.
Ø 10/12/14/15/16	5991990321012	Ø 14/16/18	5991990321011
C = Copper connection • M = Multilayer connection			



FRAME POLISHED STAINLESS STEEL

Height	Width	Pipe Centres (V9 - V10)	Dry Weight	Water Content	Thermal output $\Delta t = 50^{\circ}\text{C}$		75/65/20°C ($\Delta t=50^{\circ}\text{C}$)
					Watts	Kcal/h	Thermal output ϕ in Watts and Δt in $^{\circ}\text{C}$
1832	474	388	25,1	5,6	880	757	$\phi = 5,7949 * \Delta t$ ^{1,2840}
	586	500	31,3	7,0	1100	946	$\phi = 7,2436 * \Delta t$ ^{1,2840}
2032	474	388	27,3	5,8	978	841	$\phi = 6,4388 * \Delta t$ ^{1,2840}
	586	500	34,1	7,2	1222	1051	$\phi = 8,0484 * \Delta t$ ^{1,2840}

FRAME PLUS POLISHED STAINLESS STEEL

Height	Width	Pipe Centres (V9 - V10)	Dry Weight	Water Content	Thermal output $\Delta t = 50^{\circ}\text{C}$		75/65/20°C ($\Delta t=50^{\circ}\text{C}$)
					Watts	Kcal/h	* Thermal output ϕ in Watts and Δt in $^{\circ}\text{C}$
1832	474	388	35,7	11,2	1215	1045	$\phi = 9,5799 * \Delta t$ ^{1,2840}
	586	500	45,1	13,7	1518	1305	$\phi = 11,9749 * \Delta t$ ^{1,2840}
2032	474	388	39,5	12,3	1325	1140	$\phi = 10,3224 * \Delta t$ ^{1,2840}
	586	500	49,9	15,0	1656	1424	$\phi = 12,9030 * \Delta t$ ^{1,2840}

* For output at different Δt than 50°C , see page 162.



FRAME INOX DECOR

Height	Width	Pipe Centres (V9 - V10)	Dry Weight	Water Content	Thermal output $\Delta t = 50^{\circ}\text{C}$		75/65/20°C ($\Delta t=50^{\circ}\text{C}$)
					Watts	Kcal/h	* Thermal output ϕ in Watts and Δt in $^{\circ}\text{C}$
1832	474	388	25,1	5,6	880	757	$\phi = 5,7949 * \Delta t$ ^{1,2840}
	586	500	31,3	7,0	1100	946	$\phi = 7,2436 * \Delta t$ ^{1,2840}
2032	474	388	27,3	5,8	978	841	$\phi = 6,4388 * \Delta t$ ^{1,2840}
	586	500	34,1	7,2	1222	1051	$\phi = 8,0484 * \Delta t$ ^{1,2840}

FRAME PLUS INOX DECOR

Height	Width	Pipe Centres (V9 - V10)	Dry Weight	Water Content	Thermal output $\Delta t = 50^{\circ}\text{C}$		75/65/20°C ($\Delta t=50^{\circ}\text{C}$)
					Watts	Kcal/h	* Thermal output ϕ in Watts and Δt in $^{\circ}\text{C}$
1832	474	388	35,7	11,2	1215	1045	$\phi = 9,5799 * \Delta t$ ^{1,2840}
	586	500	45,1	13,7	1518	1305	$\phi = 11,9749 * \Delta t$ ^{1,2840}
2032	474	388	39,5	12,3	1325	1140	$\phi = 10,3224 * \Delta t$ ^{1,2840}
	586	500	49,9	15,0	1656	1424	$\phi = 12,9030 * \Delta t$ ^{1,2840}

* For output at different Δt than 50°C , see page 162.